

Premium
Solar Modules



12 Years
product warranty

M Series

M Series

285 W ▪ 290 W ▪ 295 W ▪ 300 W ▪ 305 W

- High efficiency, high safety, high reliability
- Highly transparent self-cleaning glass
- Resistant to environmental influences: Passed salt mist and ammonia test
- PID-resistant
- German warranty



M Series

Electrical data under STC (Standard Test Conditions: 1000 W/m², 25 °C, AM 1.5)

Rated power	P _{max}	285 W	290 W	295 W	300 W	305 W
Sorting limits of performance		0/+5 W	0/+5 W	0/+5 W	0/+5 W	0/+5 W
Voltage	U _{MPP}	31.64 V	31.77V	32.00 V	32.23 V	32.42 V
Open circuit voltage	U _{OC}	39.01 V	39.24 V	39.43 V	39.65 V	39.86 V
Current	I _{MPP}	9.00 A	9.13 A	9.22 A	9.31 A	9.41 A
Short-circuit current	I _{SC}	9.55 A	9.66 A	9.75 A	9.84 A	9.93 A
Efficiency		17.45 %	17.75 %	18.06 %	18.37 %	18.67 %

Temperature data

Power temperature coefficient	T _k (P _{MPP})	-0.43 %/K
Voltage temperature coefficient	T _k (U _{OC})	-0.325 %/K
Current temperature coefficient	T _k (I _{SC})	0.04 %/K

Further information

Number of cells	60 monocrystalline cells
Max. system voltage	1000 V
Reverse current loading capability	15 A
Front cover	3.2 mm (0.13 inches) tempered glass
Module connection	Junction Box protection class Ip67 4.0 mm ² , cable length approx.: 900 mm
Snow load	5400 Pa $\hat{=}$ 550 kg/m ²

12-year product warranty, 25-year linear performance warranty according to our additional warranty conditions for solar power modules of the "M" product series, which we will gladly send you.

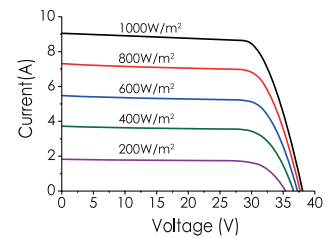
Subject to technical modifications with corresponding follow-up certifications. Errors excepted. Illustration similar.

Packaging Specifications

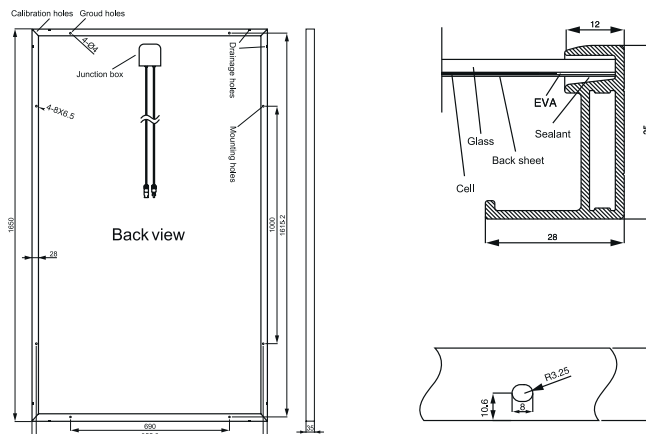
Truck	
Dimension pallet (L/W/H)	169/112/114 cm
Weight pallet	approx. 603 kg
Modules per pallet	30
Modules per truck	900

Shipment	
Dimension pallet (L/W/H)	169/112/114 cm
Weight pallet	approx. 603 kg
Modules per pallet	30
Modules per container [40' HC]	840

Electrical performance (cell temperature 25°C)



M Series
Weight: approx. 18.5 kg



Note: Ensure correct polarity!

Your specialist dealer:

SF Solar Fabrik GmbH
Im Gewerbegebiet 12
63831 Wiesen
Germany

Phone: +49 (0)6096 9 700-790
Fax: +49 (0)6096 9 700-728
Mail: info@solar-fabrik.de
Web: www.solar-fabrik.de